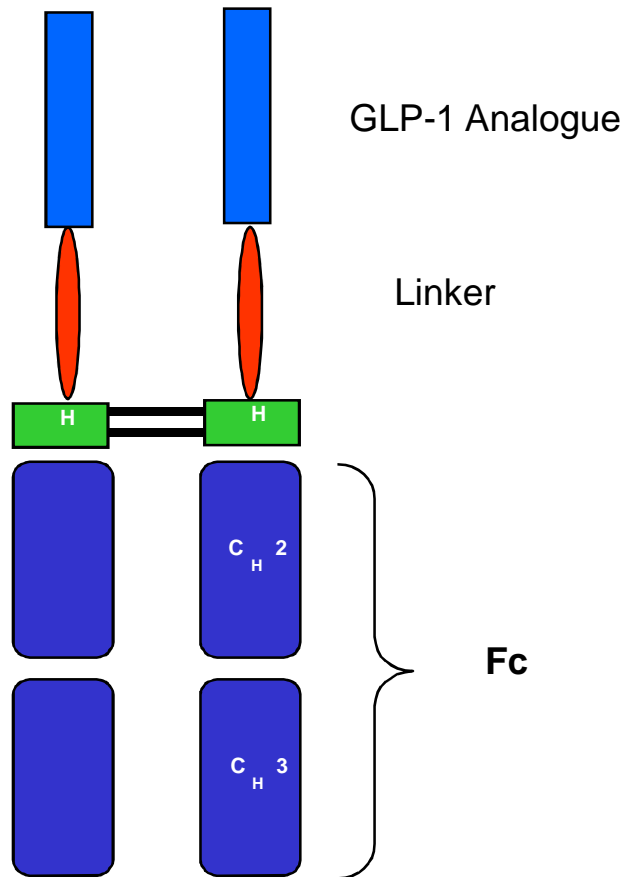


GLP Strategy

Novel engineered human GLPr agonists

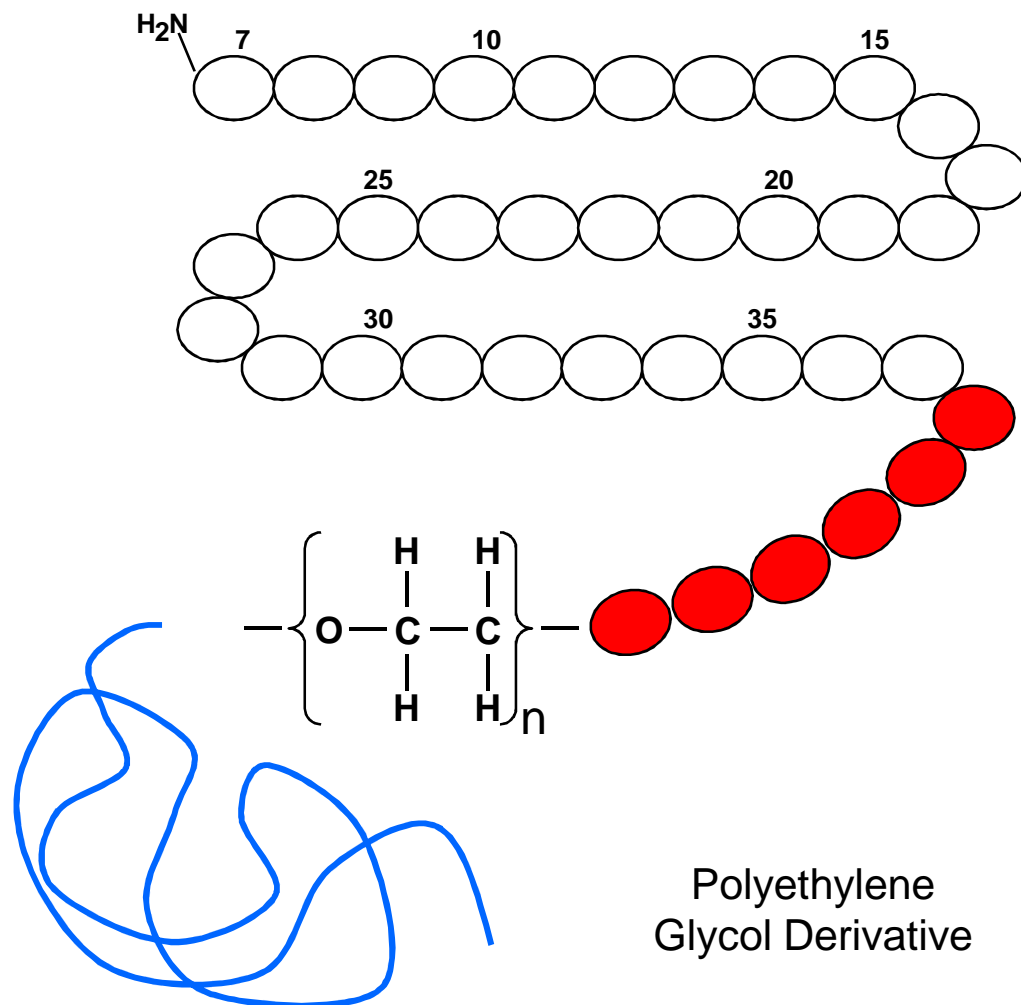


GLP-Fc (LY2189265)

- Novel engineered fusion protein
- Once-weekly diabetes therapeutic
- Highly soluble, small-gauge needle
- Currently in seamless Phase 2-3 clinical trials for diabetes

GLP Strategy

Novel engineered human GLPr agonists



GLP1-PEG (LY2428757)

- Novel engineered pegylated analogue
- Once-weekly diabetes therapeutic
- Highly soluble; small-gauge needle
- Currently in Phase 1 clinical trials for diabetes